

NPA 34

METRIC

GROOVEX
Innovative Grooving & Turning Solutions

vargus
NEUMO Ehrenberg Group

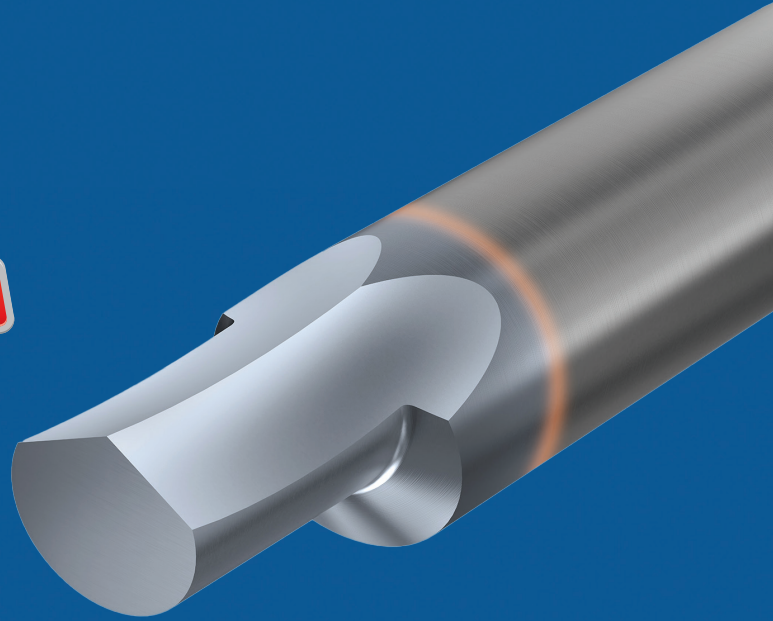
GROOVEX NPA 34 METRIC | 07/2022 | Page 1/3

Introducing the

microbroach

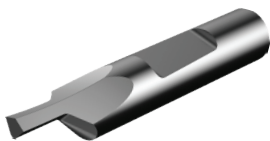
NEW

Dedicated broaching tools for
Hexagon and Torx® sockets

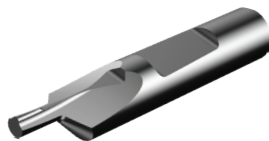


Features and Benefits:

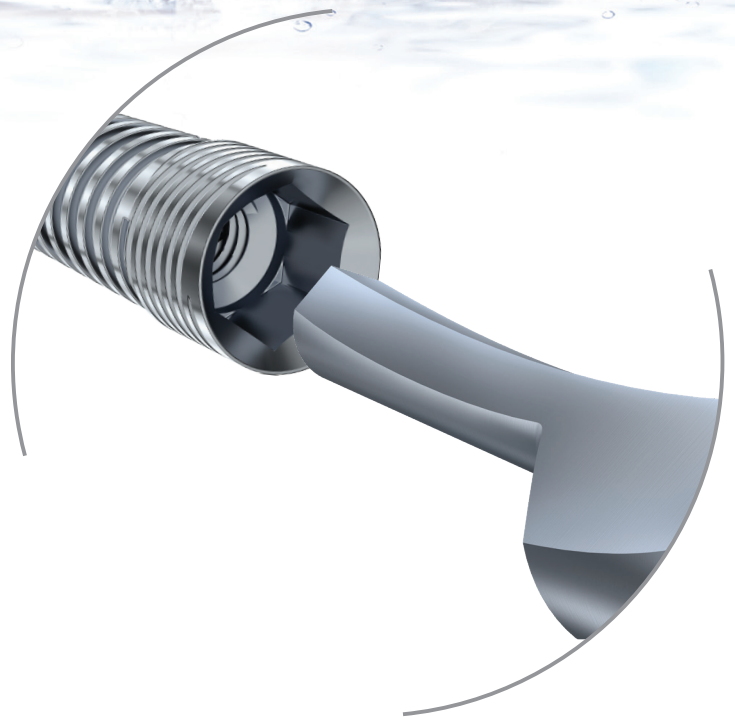
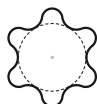
- Unique VARGUS design
- Fits popular driven tools
- Sockets range:



Hexagon sockets
2.5 mm – 10.0 mm



Torx® sockets
TX15 – TX30



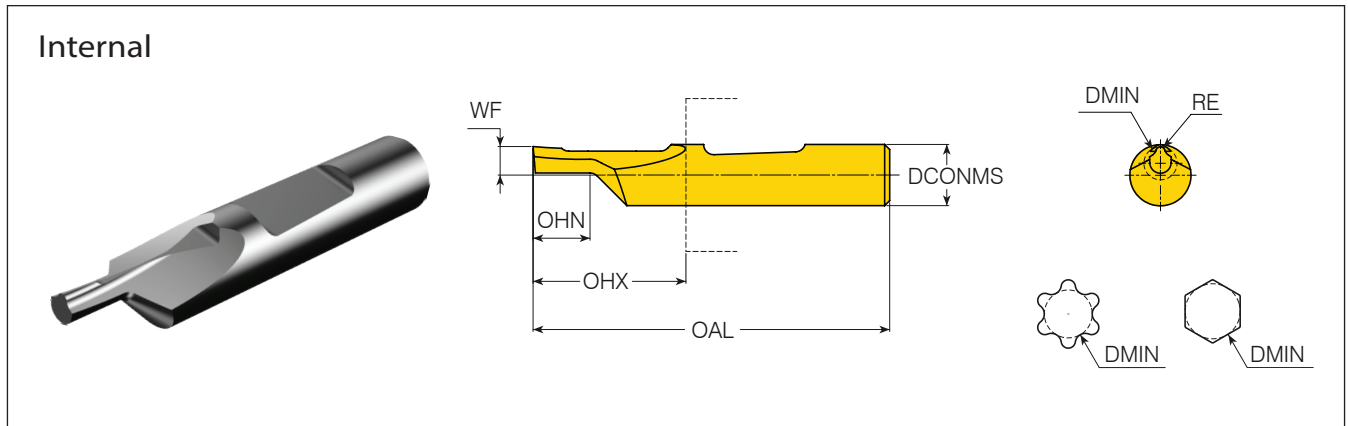
Please be in direct contact with me for any specific questions or requests.
For additional updates and news, visit the VARGUS website: www.vargus.com


Shay Avrahami
GROOVEX Product Manager

Scroll down for complete details 

Inserts

microbroach

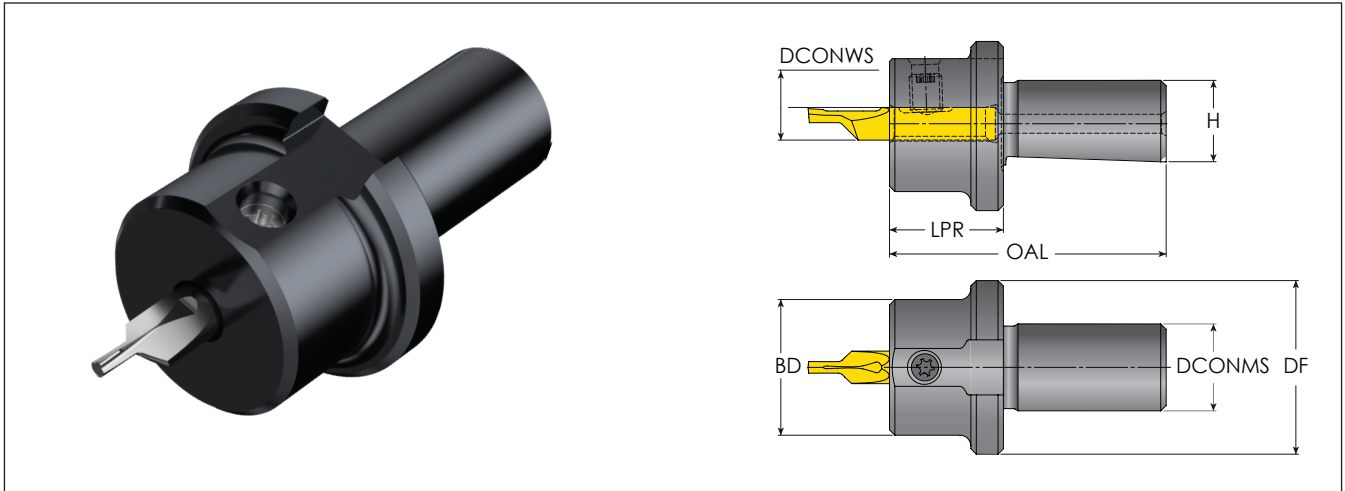


Application	App Range	DCONMS	DMIN	Ordering Code	Dimensions mm						Grades
					TX/SW	WF	RE	OHN	OHX	OAL	
Torx Socket	TX15	6.0	2.40	B6.0TX15R0.34	15	2.90	0.34	4.00	15.00	35.00	•
	TX20		2.85	B6.0TX20R0.40	20	2.90	0.40	4.00	15.00	35.00	•
	TX25		3.25	B6.0TX25R0.45	25	2.90	0.45	5.00	15.00	35.00	•
	TX30		4.05	B6.0TX30R0.56	30	2.90	0.56	5.00	15.00	35.00	•
Hexagon Socket	2.0	6.0	2.00	B6.0HW2R0.05	2.0	2.90	0.05	4.00	15.00	35.00	•
	2.5-2.9		2.50	B6.0HW2.5R0.05	2.5	2.90	0.05	4.00	15.00	35.00	•
	2.9-3.5		3.00	B6.0HW3R0.05	3.0	2.90	0.05	4.50	15.00	35.00	•
	3.5-4.0		3.50	B6.0HW3.5R0.05	3.5	2.90	0.05	5.50	15.00	35.00	•
	4.0-4.5		4.00	B6.0HW4R0.1	4.0	2.90	0.1	6.00	15.00	35.00	•
	4.5-5.0		4.50	B6.0HW4.5R0.1	4.5	2.90	0.1	7.00	15.00	35.00	•
	5.0-8.0	5.00	B6.0HW5R0.1	5.0	2.90	0.1	9.00	15.00	35.00	•	
8.0-10.0	10.0	8.00	B10.0HW8R0.1	8.0	4.90	0.1	12.00	20.00	45.00	•	

• In stock

Shank Type BE*

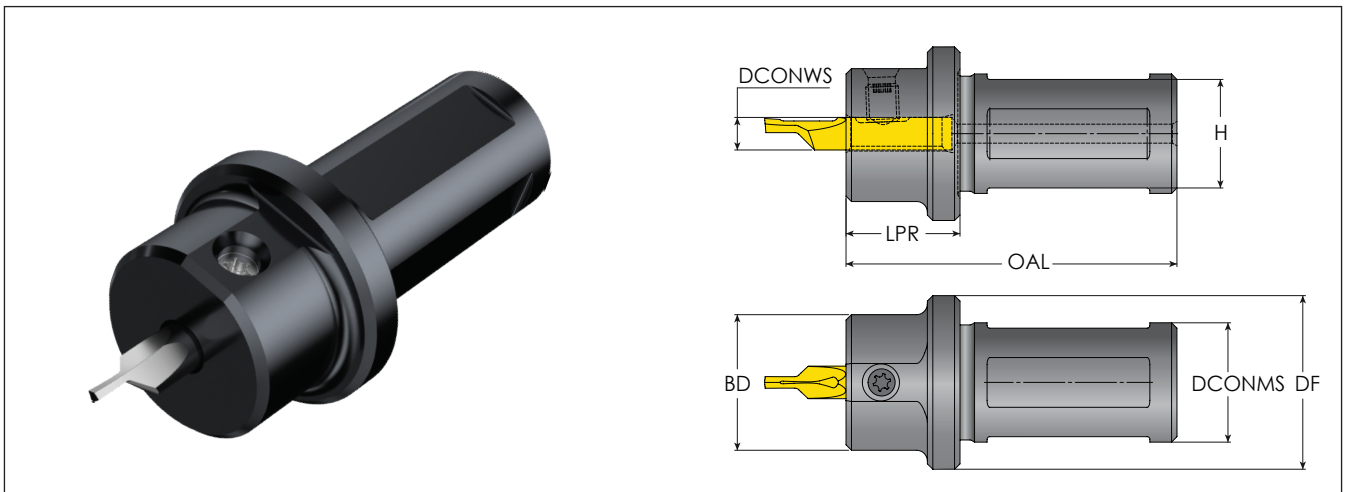
microbroach



Shank Type	DCONWS	Ordering Code	Dimensions mm						Spare Parts	
			DCONMS	BD	DF	H	LPR	OAL	Clamping Screw	Key
BE	06	BH16-06-BE	16	25	32	15	21	51.00	SL7DT15	LT15
	10	BH16-10-BE	16	25	32	15	31	61.00		

* BE holders are specially designed for EWS-Slot and BENZ LinA broaching devices

Shank Type C4F



Shank Type	DCONWS	Ordering Code	Dimensions mm						Spare Parts	
			DCONMS	BD	DF	H	LPR	OAL	Clamping Screw	Key
C4F	06	BH20-06-C4F	20	25	32	18	21	61.00	SL7DT15	LT15
	10	BH20-10-C4F	20	25	32	18	26	66.00		
	06	BH22-06-C4F	22	25	32	20	21	61.00		
	10	BH22-10-C4F	22	25	32	20	26	66.00		
	06	BH25-06-C4F	25	25	32	23	21	61.00		
	10	BH25-10-C4F	25	25	32	23	26	66.00		